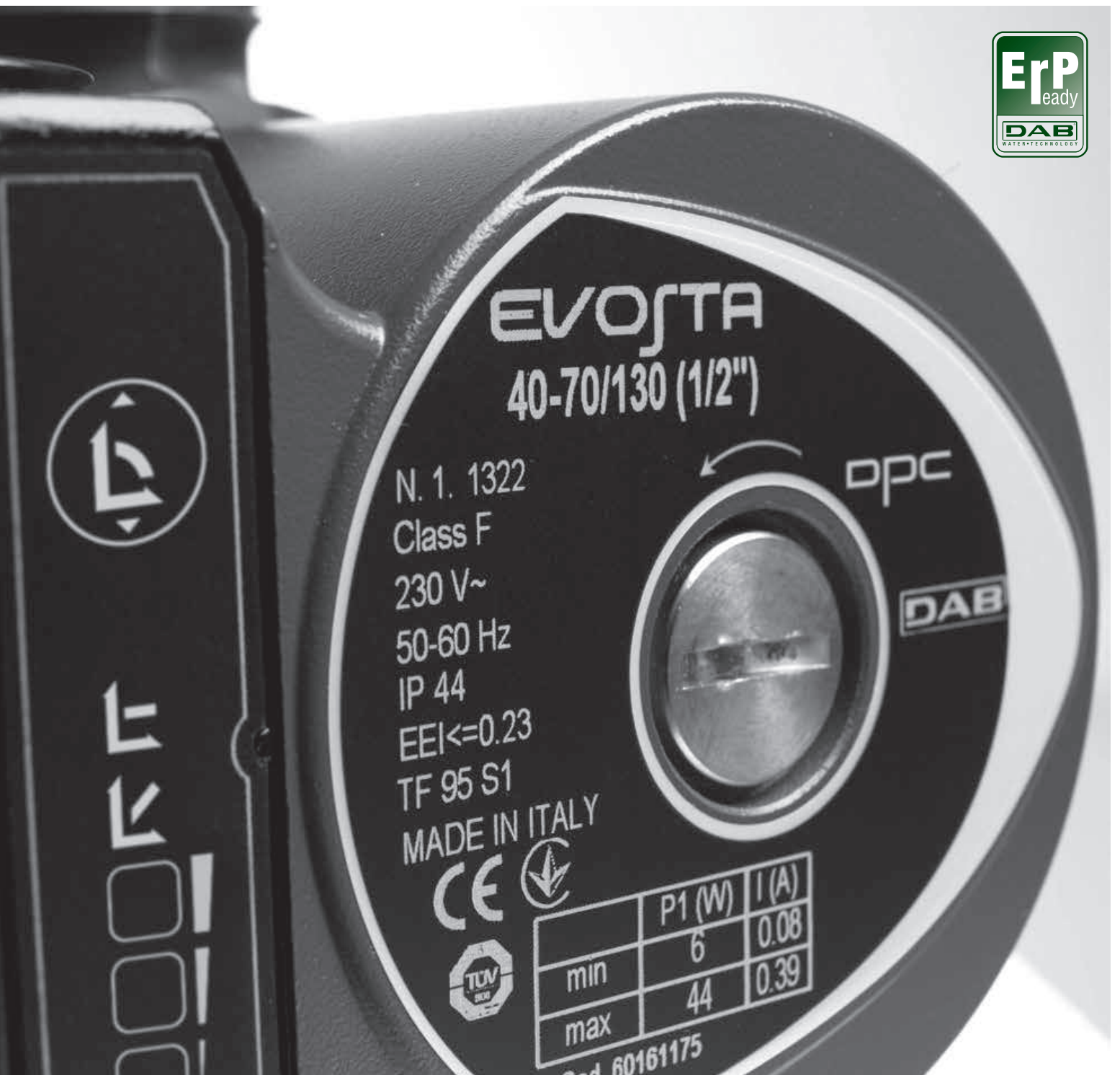


EVOSTA DPC

HIGH-EFFICIENCY ELECTRONIC CIRCULATORS



EVOSTA DPC

HIGH-EFFICIENCY ELECTRONIC CIRCULATORS



TECHNICAL DATA

Operating range: from 0,4 to 3,3 m³/h with head up to 6,9 metres

Liquid temperature range: from +2 °C to +95 °C

Working pressure: 10 bar (1000 kPa).

Protection rating: IP 44.

Insulation class: F.

Installation: with horizontal motor shaft

Standard power input: single-phase 1x230 V~ 50/60 Hz

Pumped liquid: Clean, free from solids and mineral oils, non-viscous, chemically neutral, with properties similar to water (max. glycol contents 30%).



In line with European directive ErP 2009/125/CE (formerly EuP), ready to meet the requirements of the same standard which will come into force in 2015 (EEI < 0,23).

APPLICATIONS

Low energy consumption electronic circulator, suitable for circulating hot water in all types of domestic heating systems; EVOSTA DPC has been especially designed for use in under-floor heating systems. It cannot be used for circulating cold water in air conditioning systems.

Special versions on request:

EVOSTA DPC adapts perfectly to the demands of the OEM market thanks to the possibility of customisation which includes the following options on request:

- Terminal board orientation
- Molex connector
- Control with PWM signal
- Insulation kit
- Connection cables
- Multi-packaging

For further details, contact our sales network.

ADVANTAGES

Thanks to the advanced technology employed, the permanent magnet synchronous motor and the frequency converter, the new range of EVOSTA DPC circulators ensures high efficiency in all applications, bringing appreciable benefits in terms of energy saving. For this reason the new EVOSTA DPC circulator is not only in line with European directive ErP 2009/125/CE (formerly EuP), but is also ready to meet the requirements of the same standard that will come into force in 2015 (EEI ≤ 0,23). The circulator features an electronic device that detects the changes demanded by the system and automatically adapts the circulator performance accordingly, always ensuring optimal efficiency and minimum energy consumption.

The EVOSTA DPC circulator is also ideal for replacing old three-speed circulators, as it has the same dimensions as the VA series, and it can cover pumps with head of 4, 5 and 6 metres with a single model. It can also simplify the user's work, thanks to a single sequential setting button and a breather plug used to degas the system and unlock the motor shaft.

The EVOSTA DPC series circulator can operate in 3 different modes:

- Constant curve.



1 curve

- Proportional differential pressure.



6 curves

- Constant differential pressure



3 curves

CONSTRUCTION CHARACTERISTICS

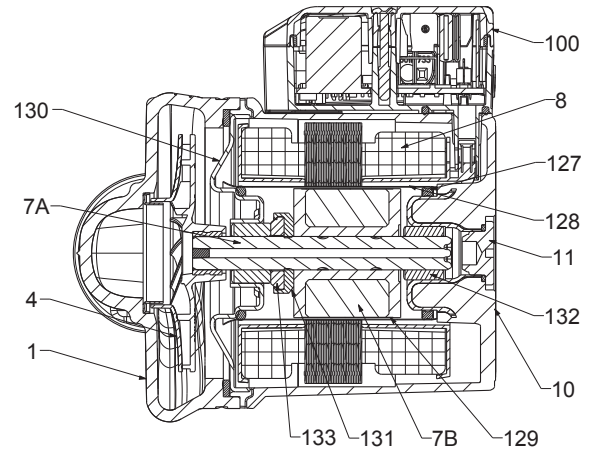
Cast iron pump body and wet rotor motor. Motor casing in die-cast aluminium. Technopolymer impeller. Ceramic motor shaft mounted on graphite bushings, lubricated by the pumped liquid. Stainless steel rotor jacket, stator jacket and closing flange. Ceramic thrust ring. EPDM seal rings and brass breather plug. Thanks to the internal protection of the motor, no other protection is required.

EVOSTA DPC

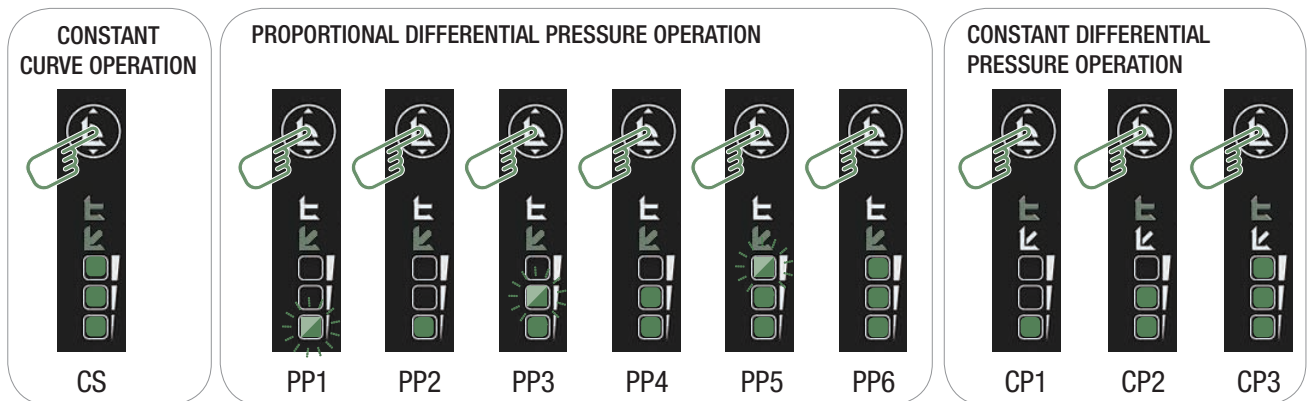
HIGH-EFFICIENCY ELECTRONIC CIRCULATORS

MATERIALS

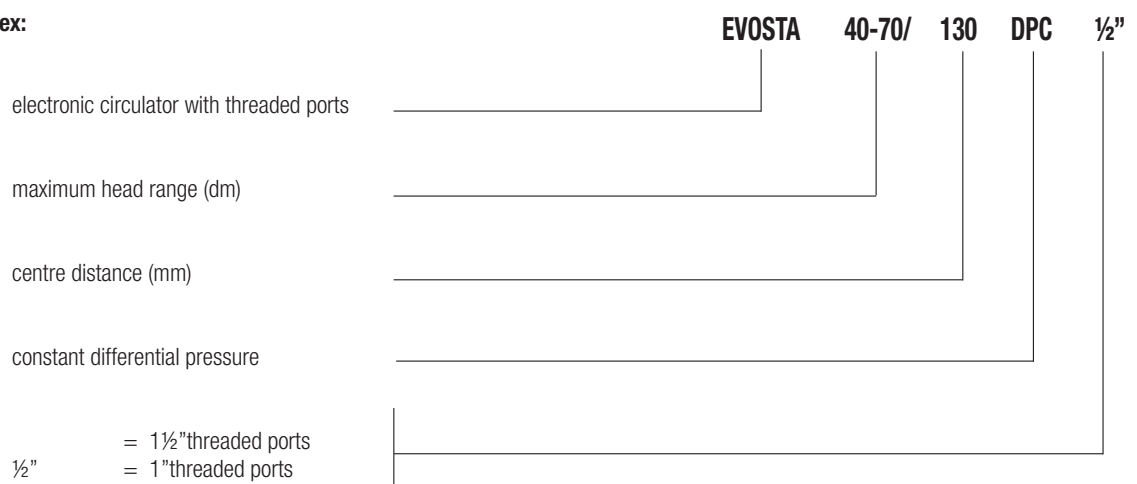
N°	DETAILS	MATERIALS
1	PUMP BODY	CAST IRON
4	IMPELLER	TECHNOPOLYMER
7A	MOTOR SHAFT	CERAMIC
7B	ROTOR	MAGNET
8	STATOR	-
10	MOTOR CASING	DIE CAST ALUMINIUM
11	BREATHER PLUG	BRASS
100	ELECTRONIC BOX	TECHNOPOLYMER
127	SEAL RING	EPDM
128	STATOR JACKET	STAINLESS STEEL
129	ROTOR JACKET	STAINLESS STEEL
130	CLOSING FLANGE	STAINLESS STEEL
131	THRUST RING SUPPORT	EPDM
132	BUSHINGS	GRAPHITE
133	THRUST RING	CERAMIC



OPERATING MODE



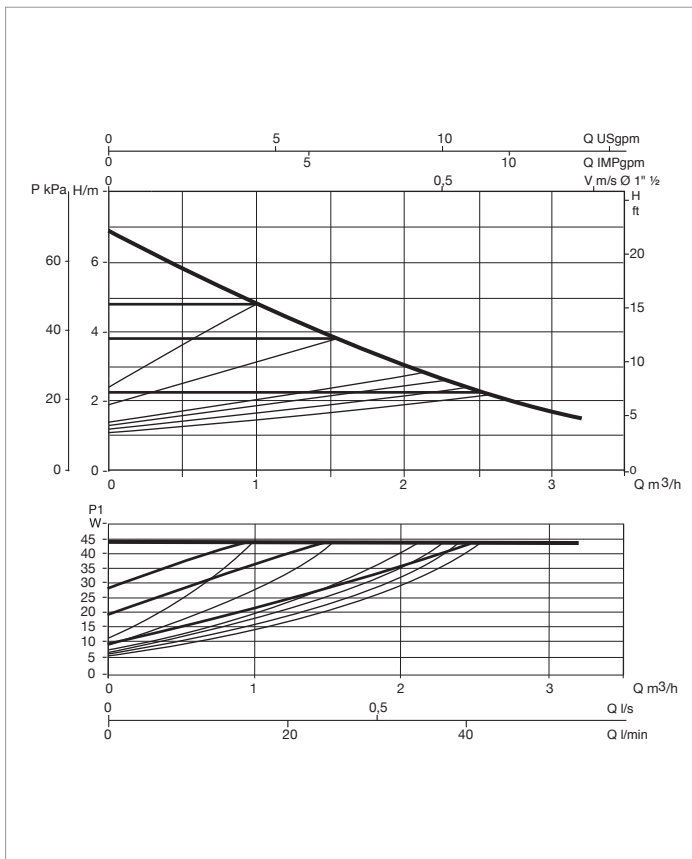
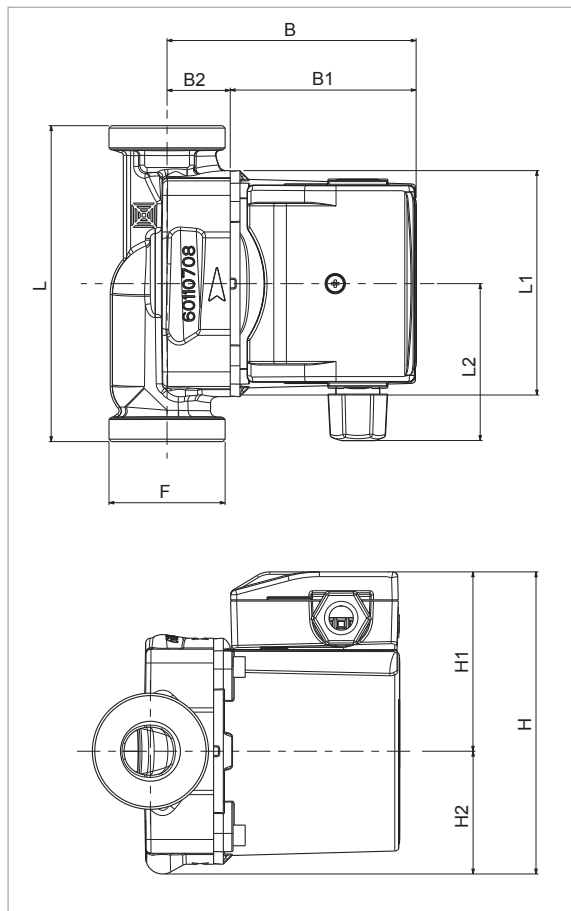
- Designation index:
(example)



EVOSTA 40-70 DPC - ELECTRONIC CIRCULATORS FOR DOMESTIC HEATING SYSTEMS

SINGLE WITH UNIONS

Liquid temperature range: from +2 °C to +95 °C - Maximum working pressure: 10 bar (1000 kPa).

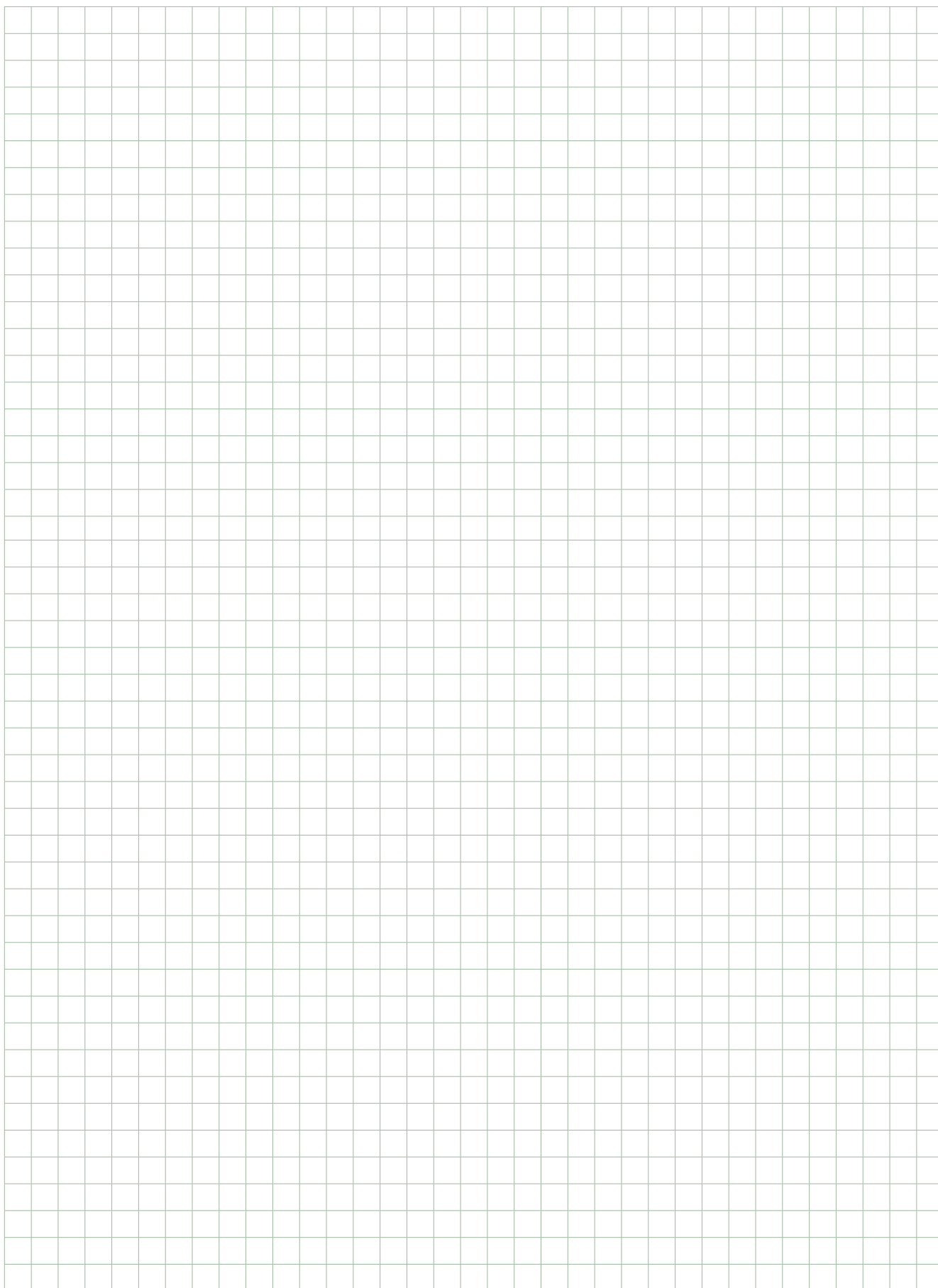


MODEL	Q=m³h	0	0,6	1,2	1,8	2,4	3
	Q=l/min	0	10	20	30	40	50
EVOSTA 40-70/130 DPC	H (m)	6,88	5,5	4,42	3,35	2,41	1,71
EVOSTA 40-70/130 DPC 1/2"		6,88	5,5	4,42	3,35	2,41	1,71
EVOSTA 40-70/180 DPC		6,88	5,5	4,42	3,35	2,41	1,71

MODEL	VOLTAGE 50 Hz	CENTRE DISTANCE mm	UNIONS ON REQUEST		ELECTRICAL DATA			MINIMUM SUCTION PRESSURE	
			STANDARDIZED	SPECIAL	P W	In A	t°	m.c.w.	
									MIN
EVOSTA 40-70/130 DPC	1x230 V ~	130	1" F	¾" F - 1¼" M	MIN	6	0,08	90°	10
EVOSTA 40-70/130 DPC 1/2"	1x230 V ~	130	½" F	-	MAX	44	0,38	90°	10
EVOSTA 40-70/180 DPC	1x230 V ~	180	1" F	¾" F - 1¼" M	MIN	6	0,08	90°	10
					MAX	44	0,38		

MODEL	L	L1	L2	B	B1	B2	H	H1	H2	F.	PACK DIMENSIONS			VOLUME m³	WEIGHT Kg	QTY X PALLET
											L	B	H			
EVOSTA 40-70/130 DPC	130	93	59	102,5	76,5	26	124	73,5	50,5	1 1/2	135	135	150	0,0027	2,4	240
EVOSTA 40-70/130 DPC 1/2"	130	93	59	102,5	76,5	26	124	73,5	50,5	1"	135	135	150	0,0027	2,4	240
EVOSTA 40-70/180 DPC	180	93	59	102,5	76,5	26	124	73,5	50,5	1 1/2	130	190	150	0,0037	2,8	180

NOTES



DNA[®]

PUMPS SELECTOR



On-line selection tool



DAB PUMPS LTD.

Unit 4 and 5, Stortford Hall Industrial Park,
Dunmow Road,
Bishops Stortford,
Herts
CM23 5GZ - UK
salesuk@dwgroup.com
Tel. +44 1279 652 776
Fax +44 1279 657 727



DAB PUMPS IBERICA S.L.

Avenida de Castilla nr.1 Local 14
28830 - San Fernando De Henares - Madrid
Spain
info.spain@dwgroup.com
Tel. +34 91 6569545
Fax: +34 91 6569676



DAB PUMPS INC.

3226 Benchmark Drive
Ladson, SC 29456 - USA
info.usa@dwgroup.com
Tel. 1-843-824-6332
Toll Free 1-866-896-4DAB (4322)
Fax 1-843-797-3366



DAB PUMPS B.V.

Brusselstraat 150
B-1702 Groot-Bijgaarden - Belgium
info.belgium@dwgroup.com
Tel. +32 2 4668353
Fax +32 2 4669218



DAB PRODUCTION HUNGARY KFT.

H-8800
Nagykanizsa, Buda Ernő u.5
Hungary
Tel. +36 93501700



DWT SOUTH AFRICA

Podium at Menlyn,
3rd Floor, Unit 3001b, 43 Ingersol Road,
C/O Lois and Atterbury street,
Menlyn, Pretoria, 0181 - South-Africa
info.sa@dwgroup.com
Tel. +27 12 361 3997
Fax +27 12 361 3137



DAB PUMPS POLAND Sp. z o.o.

Mokotow Marynarska
ul. Postępu 15C
02-676 Warszawa - Poland
Tel. +48 223 81 6085



DAB PUMPS B.V.

Albert Einsteinweg, 4
5151 DL Drunen - Nederland
info.netherlands@dwgroup.com
Tel. +31 416 387280
Fax +31 416 387299



DAB UKRAINE Representative Office

Regus Horizon Park
4 M. Hrinchenka St, suit 147
03680 Kiev - Ukraine
Tel. +38 044 391 59 43



DAB PUMPS CHINA

No.40 Kaituo Road, Qingdao Economic & Technological
Development Zone
Qingdao City, Shandong Province - China
PC: 266500
info.china@dwgroup.com
Tel. +8653286812030-6270
Fax +8653286812210



DAB PUMPEN DEUTSCHLAND GmbH

Tackweg 11
D - 47918 Tönisvorst - Germany
info.germany@dwgroup.com
Tel. +49 2151 82136-0
Fax +49 2151 82136-36



OOO DAB PUMPS

Novgorodskaya str, 1, block "G", office 308
127247 Moscow - Russia
info.russia@dwgroup.com
Tel. +7 495 122 00 35
Fax +7 495 122 00 36



DAB PUMPS DE MÉXICO, S.A. DE C.V.

Av Gral Álvaro Obregón 270, oficina 355
Hipódromo, Cuauhtémoc 06100
México, D.F.
Tel. +52 55 6719 0493